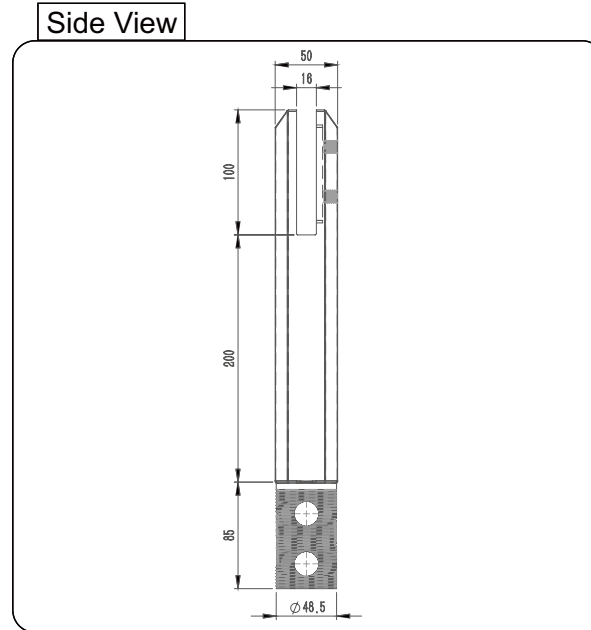
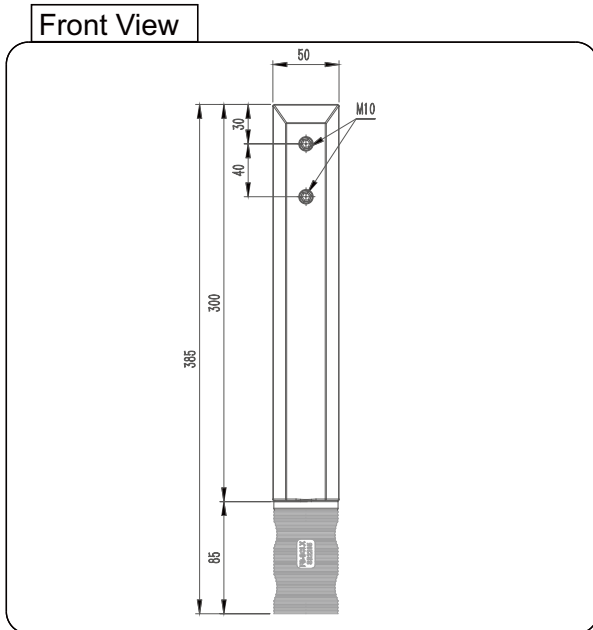
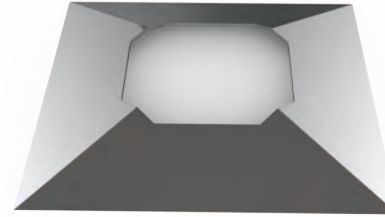
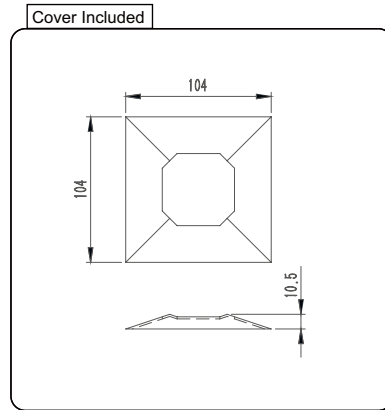


Product Info.	
Finish	Code
Polish	FS-SCLM
Satin	FS-SCLS
Texture Black	FS-SCLB
NC.Polish	X1-SCLM
NC.Satin	X1-SCLS
NC.Matt Black	X1-SCLB
NC.White	X1-SCLW



Drawing ID
FS-SCLX

MATERIAL:
Duplex 2205 Stainless Steel

CATALOGUE AND DESCRIPTION:

- > Glass Fixing System
- > Heavy Duty Extension Square Friction Core Drill Spigot
- > Suitable for 12mm Glass

NOTES:
This drawing and or specification is the property of Silver Stone Hardware Pty Ltd - and must be returned to them on request. Unauthorised use may result in Legal Action. Its contents must not be made public, nor copied, nor used directly or indirectly in any way.

SILVER STONE HARDWARE PTYLID
56-62 Bryant Street, Padstow, NSW 2211
T: (02) 9792 2955 M: 0452 526 680
www.silverstonehardware.com.au
sales@silverstonehardware.com.au