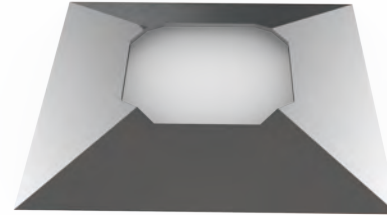
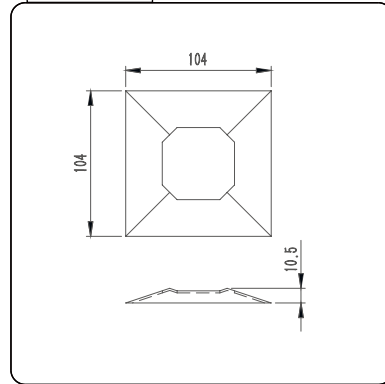


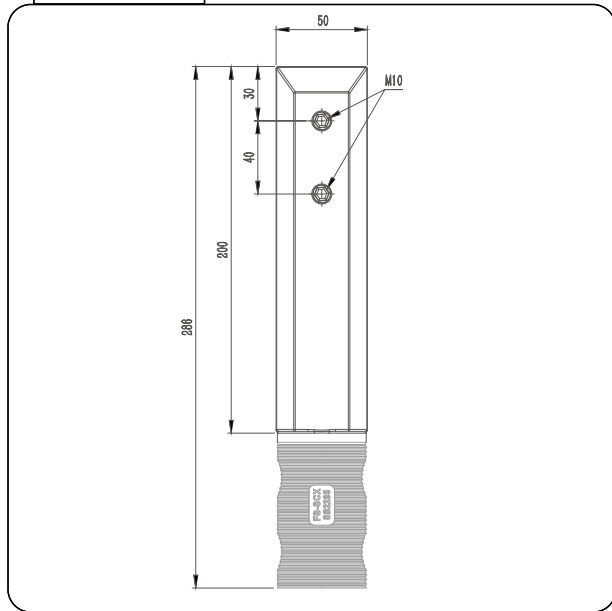
Product Info.

Finish	Code
Polish	FS-SCM
Satin	FS-SCS
Texture Black	FS-SCB
NC.Polish	X1-SCM
NC.Satin	X1-SCS
NC.Matt Black	X1-SCB
NC.White	X1-SCW

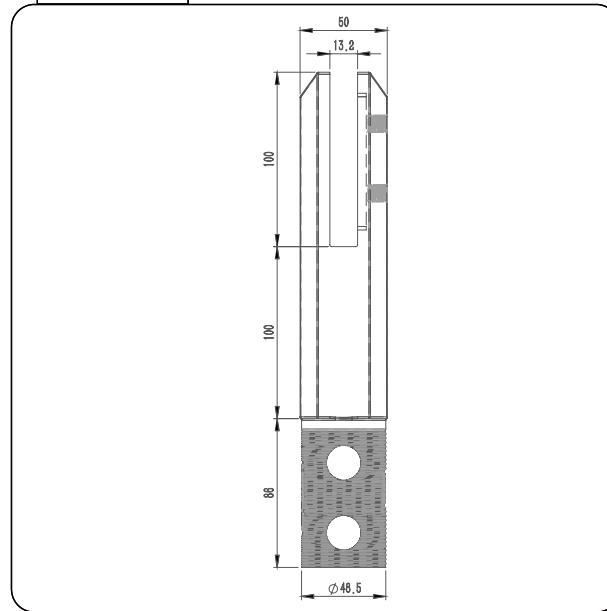
Cover Included



Front View



Side View



Drawing ID

FS-SCX

MATERIAL:

Duplex 2205 Stainless Steel

CATALOGUE AND DESCRIPTION:

- > Glass Fixing System
- > Heavy Duty Square Friction Core Drill Spigot
- > Suitable for 12mm Glass

NOTES:

This drawing and or specification is the property of Silver Stone Hardware Pty Ltd - and must be returned to them on request. Unauthorised use may result in Legal Action. Its contents must not be made public, nor copied, nor used directly or indirectly in any way.

SILVER STONE HARDWARE PTYLID

56-62 Bryant Street, Padstow, NSW 2211
 T: (02) 9792 2955 M: 0452 526 680
www.silverstonehardware.com.au
sales@silverstonehardware.com.au