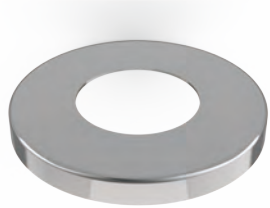
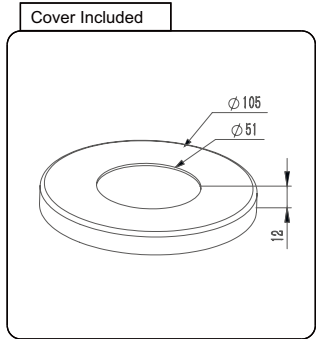
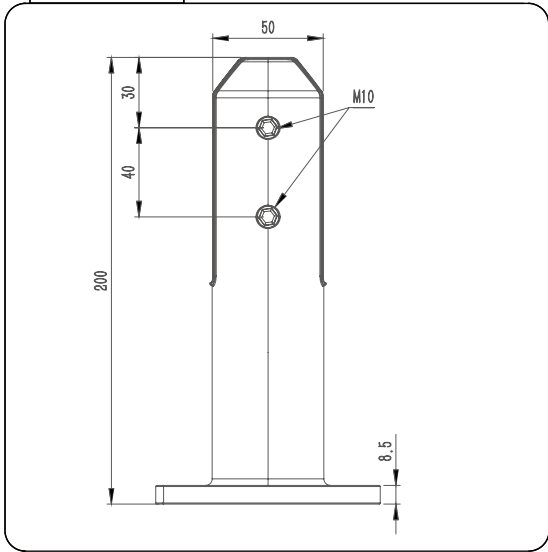


Drawing ID
FS-RDLX

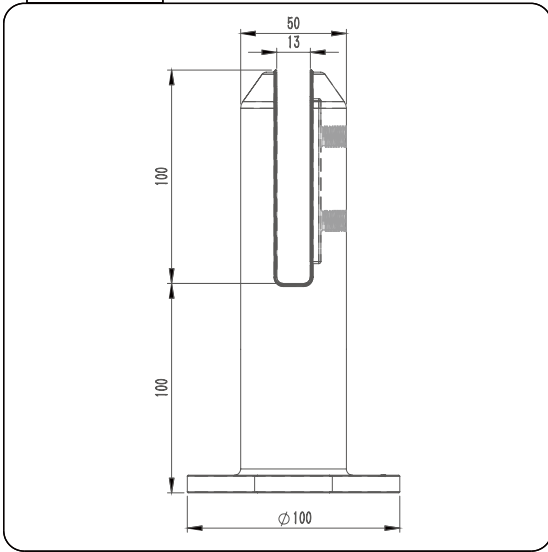
Product Info.	
Finish	Code
Polish	FS-RDLM
Satin	FS-RDLS
Texture Black	FS-RDLB



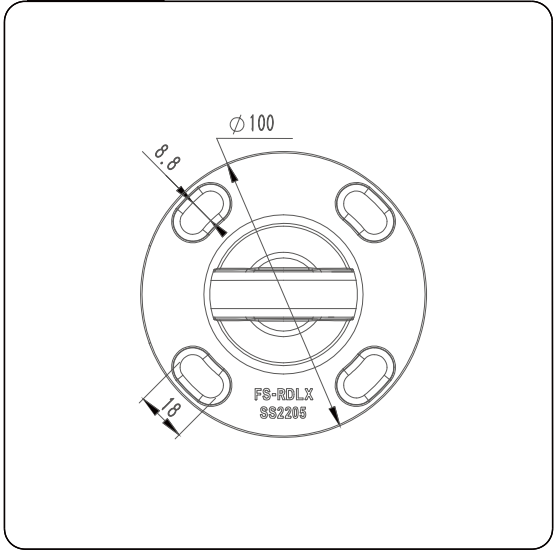
Front View



Side View



Top View



**MATERIAL:**

Duplex 2205 Stainless Steel

**CATALOGUE AND DESCRIPTION:**

- > Glass Fixing System
- > Extension Round Friction Deck Mount Spigot
- > Suitable for 12mm Glass

**NOTES:**

This drawing and or specification is the property of Silver Stone Hardware Pty Ltd - and must be returned to them on request. Unauthorised use may result in Legal Action. Its contents must not be made public, nor copied, nor used directly or indirectly in any way.

**SILVER STONE HARDWARE PTYLID**

56-62 Bryant Street, Padstow, NSW 2211  
 T: (02) 9792 2955 M: 0452 526 680  
[www.silverstonehardware.com.au](http://www.silverstonehardware.com.au)  
[sales@silverstonehardware.com.au](mailto:sales@silverstonehardware.com.au)