

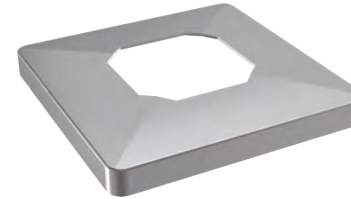
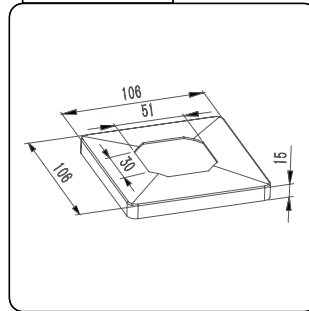
Drawing ID

FS-SDLX

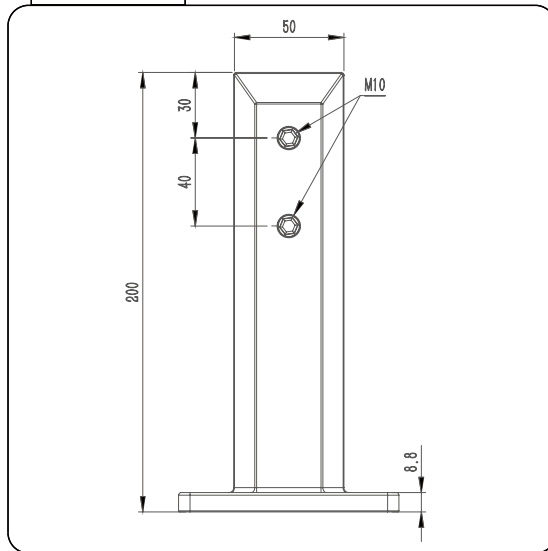
Product Info.

Finish	Code
Polish	FS-SDLM
Satin	FS-SDLS
Texture Black	FS-SDLB
NC.Polish	X1-SDLM
NC.Satin	X1-SDLS
NC.Matt Black	X1-SDLB
NC.White	X1-SDLW

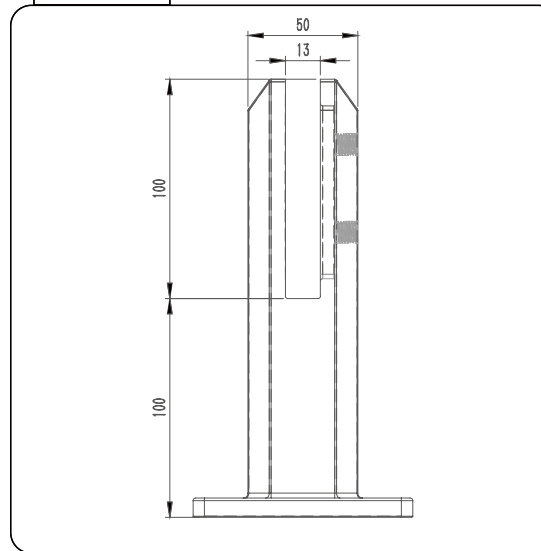
Cover Included



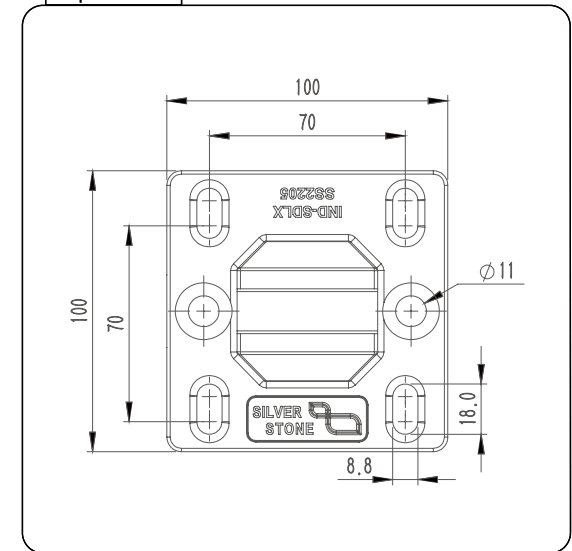
Front View



Side View



Top View



MATERIAL:

Duplex 2205 Stainless Steel

CATALOGUE AND DESCRIPTION:

- > Glass Fixing System
- > Heavy Duty Extension Square Friction Core Drill Spigot
- > Suitable for 12mm Glass

NOTES:

This drawing and or specification is the property of Silver Stone Hardware Pty Ltd - and must be returned to them on request. Unauthorised use may result in Legal Action. Its contents must not be made public, nor copied, nor used directly or indirectly in any way.

SILVER STONE HARDWARE PTY LTD

56-62 Bryant Street, Padstow, NSW 2211
 T: (02) 9792 2955 M: 0452 526 680
www.silverstonehardware.com.au
sales@silverstonehardware.com.au